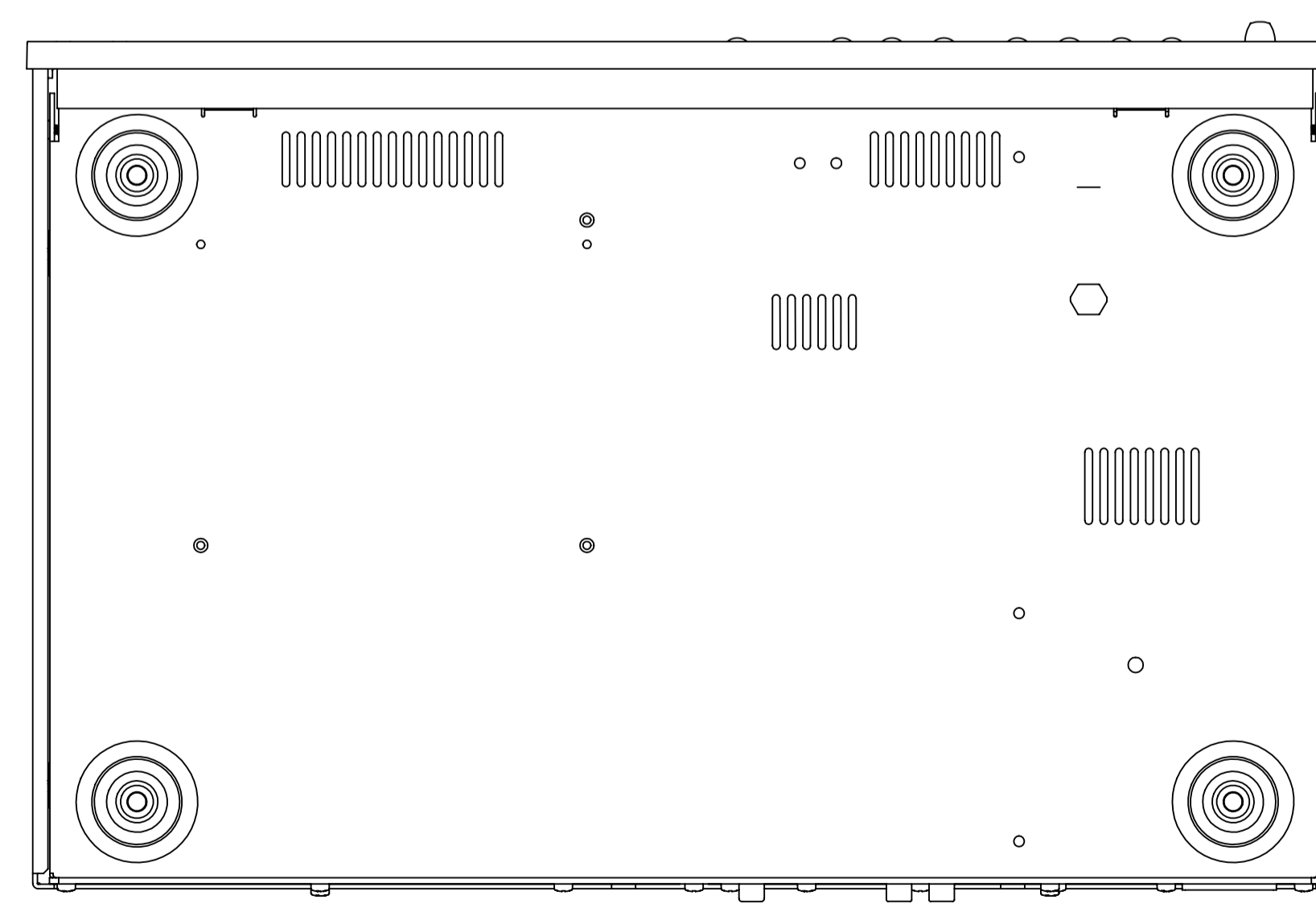
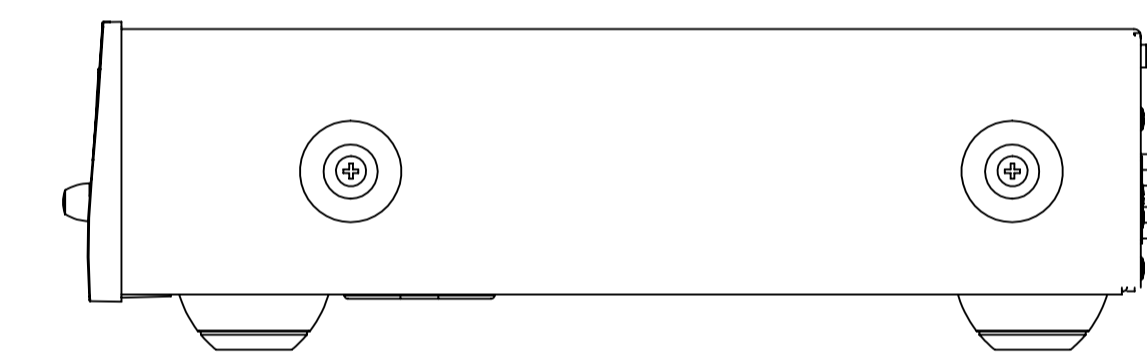
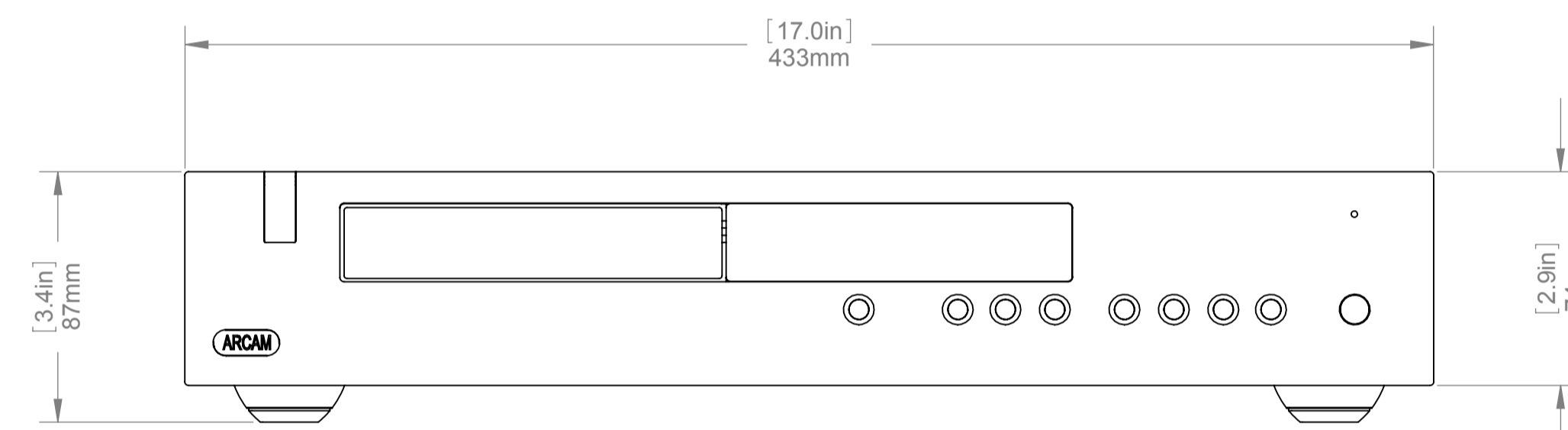
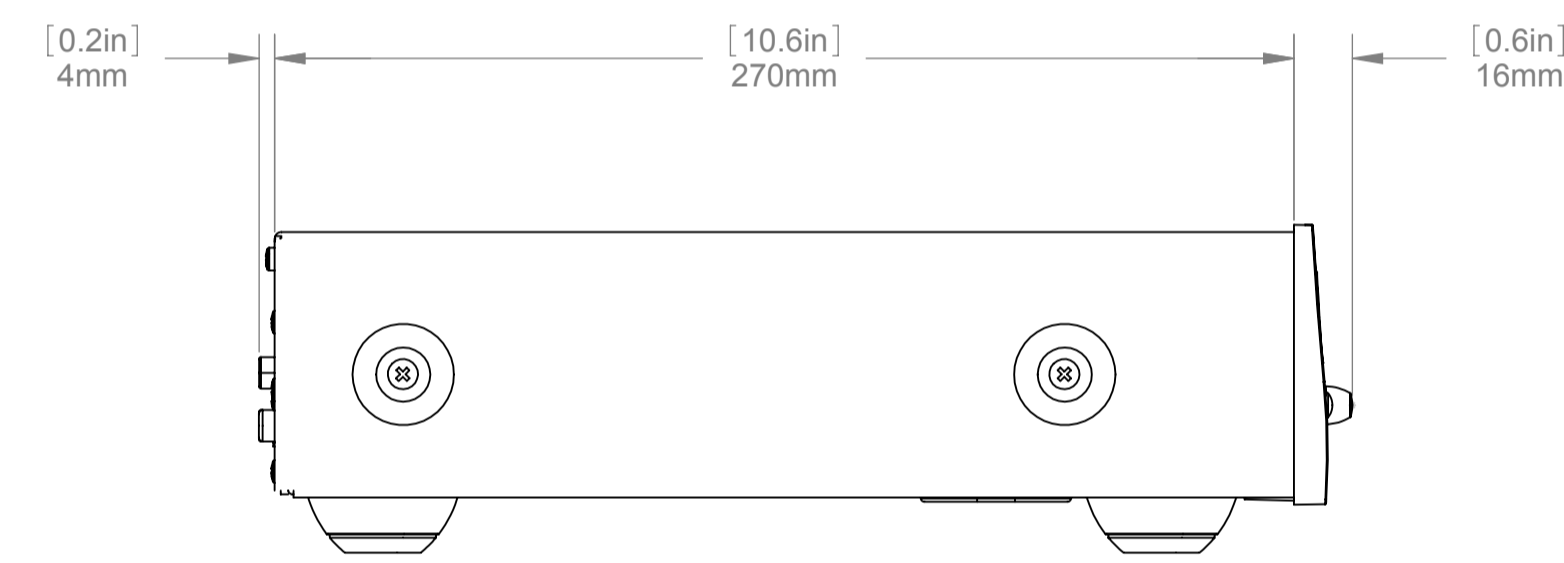
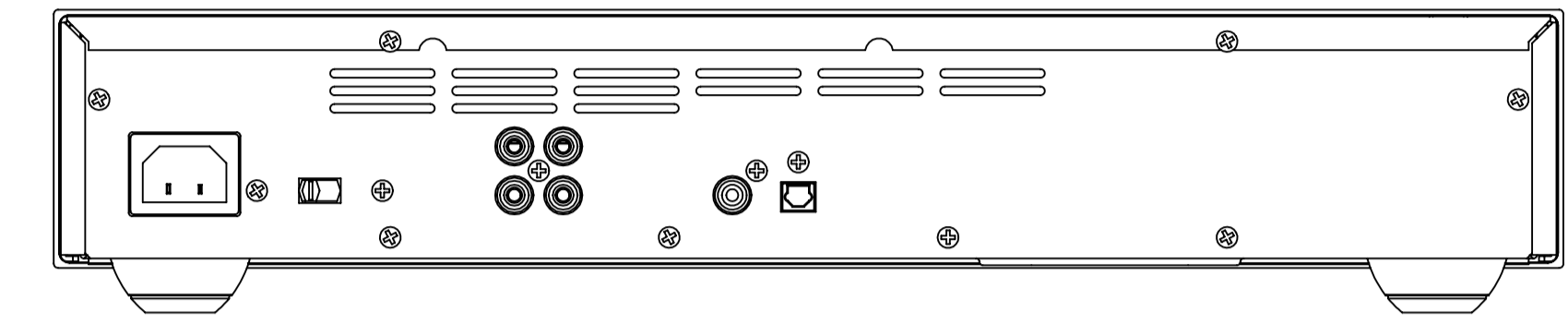
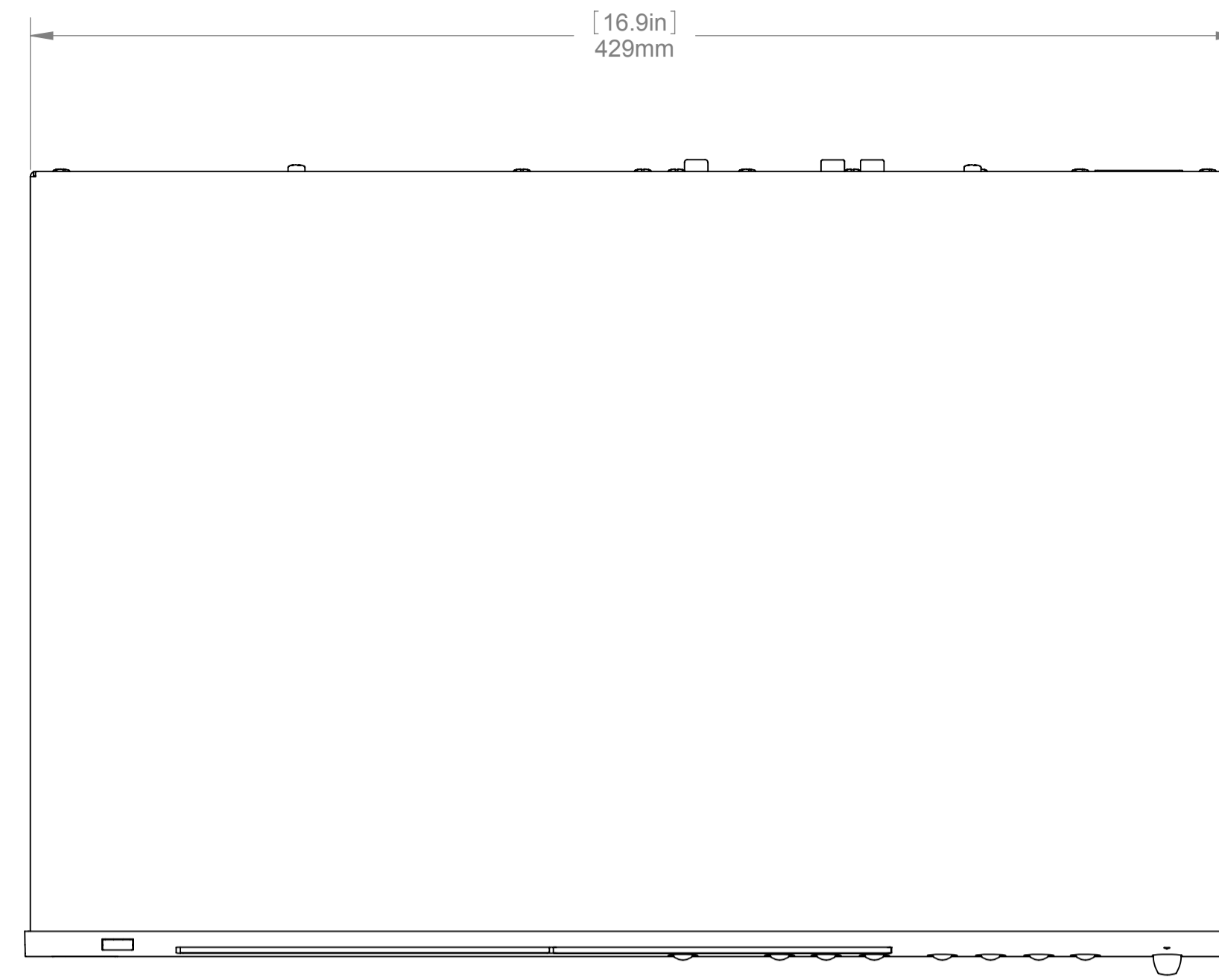


9				10		
ECO NR.	DATE	CHG.	ZONE	DESCRIPTION OF CHANGE		



NOTE:
ALLOW ADEQUATE CLEARANCE
AROUND THE PRODUCT FOR
VENTILATION & CONNECTION

ARCAM A & R CAMBRIDGE LTD LINEAR TOLERANCE +0.2MM UNLESS OTHERWISE STATED ANGULAR TOLERANCE +1° UNLESS OTHERWISE STATED	ALL DIMENSIONS IN MILLIMETERS UNLESS OTHERWISE STATED	DRAWN BY:	13-5-2008
		DATE:	
MATERIAL:		CHECKED BY:	
FINISH:		ORIGINAL SCALE 1:2	
PART NUMBER AND DRAWING NUMBER CD17		SHT. 1 OF 1	
DRAWING TITLE CD17 ASSSEMBLY		A1	

